



CATALOG

2024



656 559 6148



www.intrametmx.com



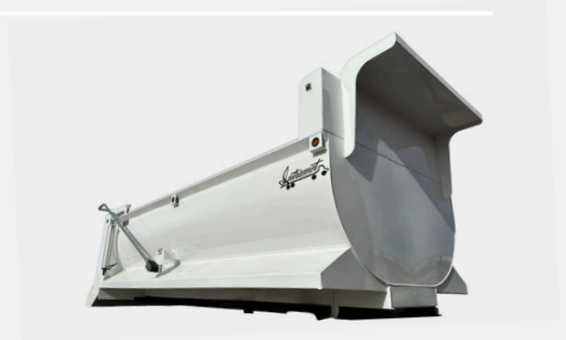
ahernandez@intrametmx.com





CONTENT

DUMP BED



BELLY DUMP



FRAMELESS Y QUARTER
FRAME



VACUUM TANK



DUMP BED

<https://intrametmx.com/>



ELLIPTICAL



- **Length:** 15 - 21 FT
- **Height:** Standard 48" (adjustable to 44" and 54")
- **Body:** Hardox 450 (1/4")
- **Fenders:** Full Fender
- **Material Fender:** Steel
- **Hi Lift System:** Inside or Outside
- **Subframe:** Included (Tubing 4" x 3") 1ft shorter than the length of the bed.
- **Steps:** Front driver side.
- **Hydraulic Cylinder:** Hyva 3 or 4 stages depending on the size
- **Tarping system:** Included (steel)
- **Cabin Protector:** Welded at 80" of clearance. (10 Ga)
- **Dual Lift Gate System:** Included
- **Dual Tail Gate Lock System:** Included (Thickness: 1")
- **Lights:** LED lights, Sealed Wiring
- **Door:** Swing Gate
- **Spreader Apron:** 12 inches (10 Gauge)



HALF ROUND

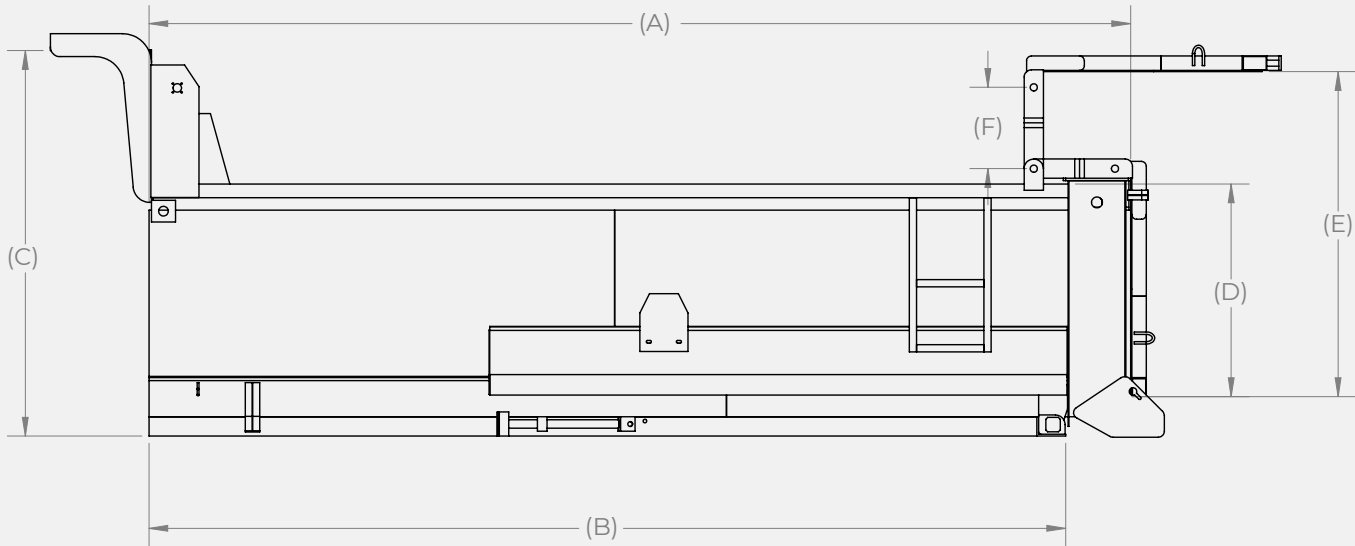


- **Length:** 15 - 21 FT
- **Height:** Standard 48" (adjustable to 44" and 54")
- **Body:** Hardox 450 (1/4")
- **Fenders:** Half Fender
- **Material Fender:** Steel
- **Hi Lift System:** Inside or Outside
- **Subframe:** Included (Tubing 4" x 3") 1ft shorter than the length of the bed.
- **Steps:** Front driver side.
- **Hydraulic Cylinder:** Hyva 3 or 4 stages depending on the size
- **Tarping system:** Included (steel)
- **Cabin Protector:** Welded at 80" of clearance. (10 Ga)
- **Dual Lift Gate System:** Included
- **Dual Tail Gate Lock System:** Included (Thickness: 1")
- **Lights:** LED lights, Sealed Wiring
- **Door:** Swing Gate
- **Spreader Apron:** 8 inches (10 Gauge)



Carr. Casas Grandes #2670 Col. Villa Esperanza. Cd. Juárez, Chihuahua

DUMP BED DIMENSIONS



SIZE	A	B	C
12'	12'	11'	STD 80"
13'	13'	12'	
14'	14'	13'	
15'	15'	14'	
16'	16'	15'	
17'	17'	16'	
18'	18'	17'	
19'	19'	18'	
20'	20'	19'	
21'	21'	20'	
22'	22'	21'	

INSIDE HI LIFT		
D	E	F
44"	67"	16 1/2"
48"	71"	
54"	77"	

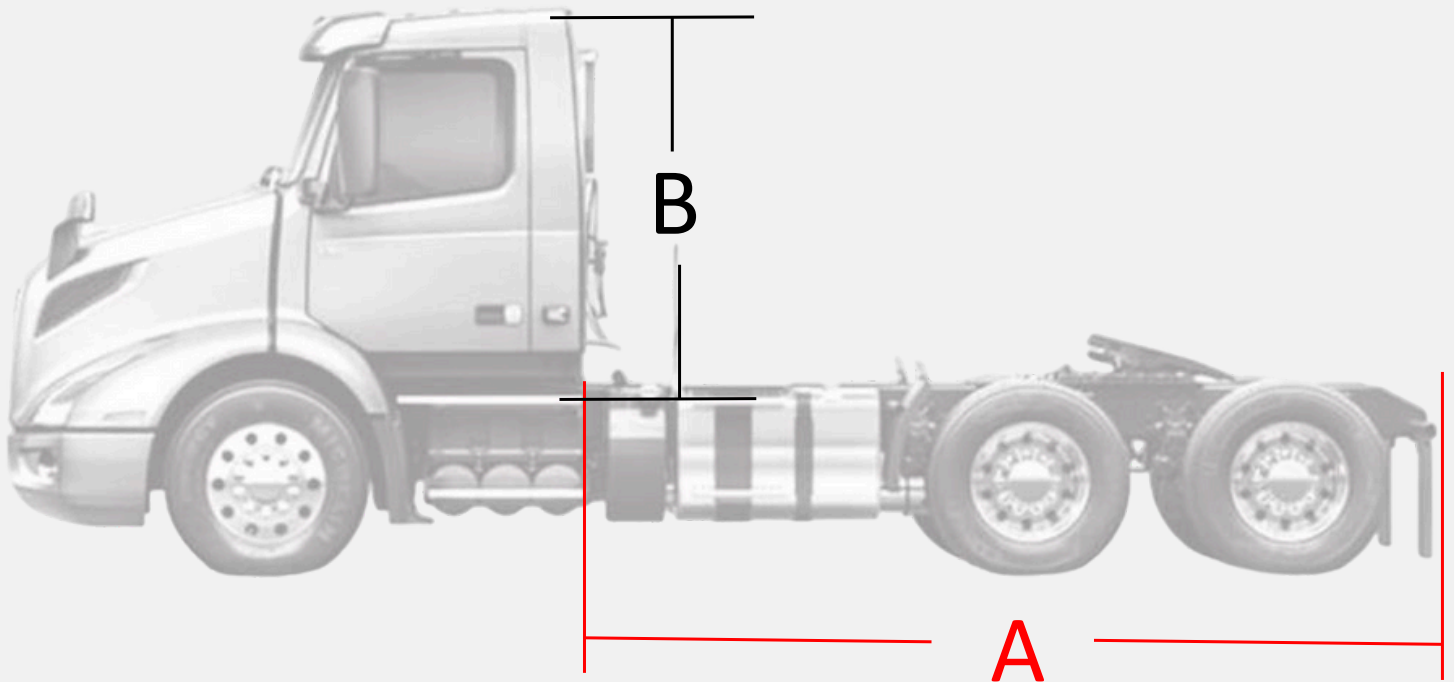
OUTSIDE HI LIFT		
D	E	F
44"	80 1/2"	30"
48"	84 1/2"	
54"	90 1/2"	



TRUCK DIMENSIONS

<https://intrametmx.com/>

DIMENTION (A)	
DIMENTION (B)	



SIGNATURE

CUSTOMER



Carr. Casas Grandes #2670 Col. Villa Esperanza. Cd. Juárez, Chihuahua

BELLY DUMP

<https://intrametmx.com/>



BELLY DUMP

- **Length:** 40 Ft
- **Suspension:** Air Suspension or Spring Suspension
- **Tires:** 11R 24.5
- **Wheels:** Steel or Aluminum
- **Capacity:** 23.5 Cubic Yards
- **Doors Composition:** 3/16" Hardox450
- **Fenders:** Aluminum Bolted On Front & Rear
- **Gate System:** High-Pressure Pneumatic Cylinders
- **Push Block:** Heavy Duty Welded
- **Lights & Wiring:** Included
- **Bang Board:** 8"
- **Axles:** 30,000 each (60,000 lbs) Total
- **Doors Valve:** Versa Electric/Manual
- **Estimate Weight:** 13,200lbs +-3%
- **Electric Tarping System:** Included



Carr. Casas Grandes #2670 Col. Villa Esperanza. Cd. Juárez, Chihuahua

FRAMELESS & QUARTER FRAME

<https://intrametmx.com/>



FRAMELESS



- **Length:** 32 - 38 FT Overall
- **Tub Length:** 2 ft shorter
- **Shape:** Elliptical or Half Round
- **Walls:** Standard 48", (adjustable to 44" and 54")
- **Body Composition:** HARDOX 450
- **Suspension:** Single Point
- **Wheels:** Steel or Aluminum
- **Tires:** 11R 24.5
- **Axles Capacity:** 30,000lbs each (Total 60,000lbs)
- **Fenders:** Front & Rear
- **Material Fenders:** Aluminum
- **Light Weight:** Frameless
- **Lights:** LED lights, Sealed Wiring
- **Electric Flag Tarp:** Included
- **Hydraulic Cylinder:** Hyva
- **Hi-Lift System:** 36" Above the Top Rail



QUARTER FRAME



- **Length:** 32 - 38 FT Overall
- **Tub Length:** 2 ft shorter
- **Shape:** Elliptical or Half Round
- **Walls:** Standard 48", (adjustable to 44" and 54")
- **Body Composition:** HARDOX 450
- **Suspension:** Air and Spring
- **Wheels:** Steel or Aluminum
- **Tires:** 11R 24.5
- **Axles Capacity:** 30,000lbs each (Total 60,000lbs)
- **Fenders:** Front & Rear
- **Material Fenders:** Aluminum
- **Light Weight:** Quarter Frame
- **Lights:** LED lights, Sealed Wiring
- **Electric Flag Tarp:** Included
- **Hydraulic Cylinder:** Hyva
- **Hi-Lift System:** 36" Above the Top Rail



Carr. Casas Grandes #2670 Col. Villa Esperanza. Cd. Juárez, Chihuahua

VACUUM TANK

<https://intrametmx.com/>



VACUUM TANK

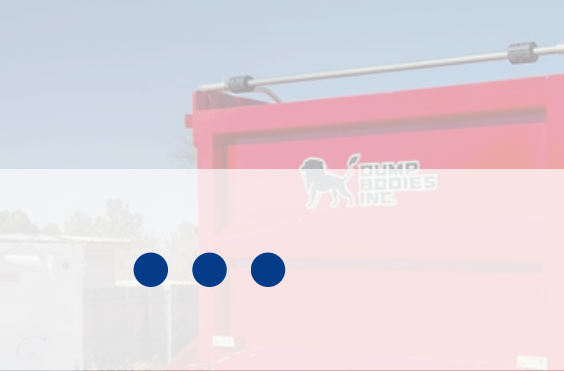
- **Length:** 40ft
- **Capacity:** 130 BBL
- **Body Composition:** 1/4" Mild Steel
- **Manways:** 4 (3 on top, 1 in back)
- **Baffles:** 2 (Thickness 1/4")
- **Landing Gear:** 2 Speed
- **Fenders:** Included (12 Gauge)
- **Suspension:** Air Ride (60,000lbs)
- **Axles Capacity:** 30,000lbs each (Total 60,000lbs)
- **Tires:** 11R24.5 Triangle
- **Wheels:** Steel (8) White
- **Lights:** LED lights, Sealed Wiring
- **Mud Flaps:** Included
- **Inside Paint:** Coating Nova Plate
- **Utility Box:** (10 Gauge)



Carr. Casas Grandes #2670 Col. Villa Esperanza. Cd. Juárez, Chihuahua



CONTACT US



DIRECT TRAILER DEALERSHIP IN U.S



DUMP BODIES, INC.
(915) 263 8339

TRAILER MANUFACTURER



Ingeniería en
Transformaciones
Metálicas S.A de C.V

(656) 559 6149

